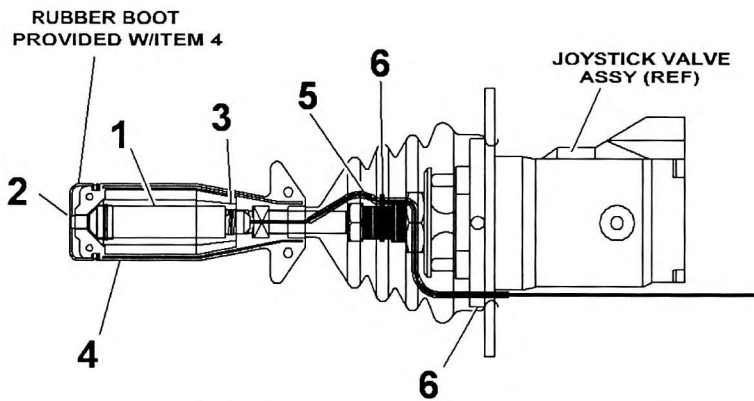
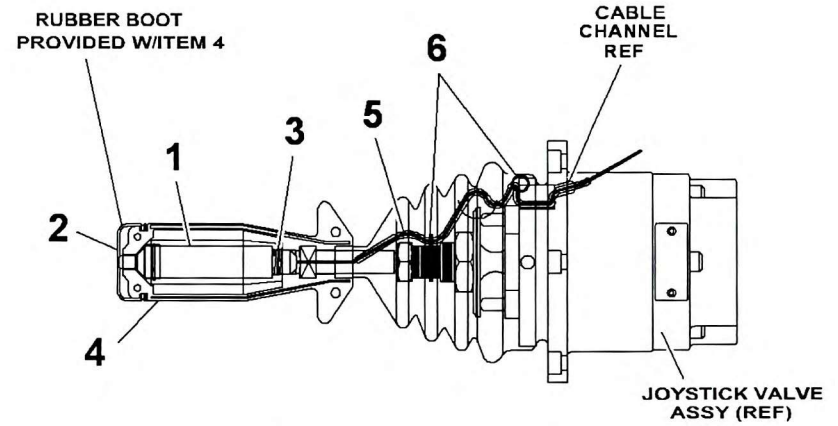


LH HANDLE INSTL WITHOUT AUX HOIST OR ROTATION INDICATOR



RH HANDLE INSTL WITH ROTATION INDICATOR
OR
LH HANDLE INSTL WITH AUX HOIST ROT IND



RH HANDLE INSTL WITH ROTATION INDICATOR
OR
LH HANDLE INSTL WITH AUX HOIST ROT IND